

Rob Calautti

Unit 15-52 Kent Street CANNINGTON

Ph : 9258 5670 - Mob: 0439 393 353

AL series

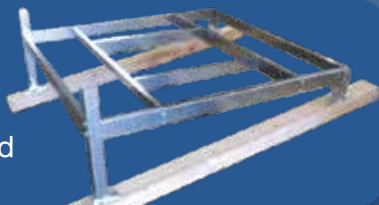
Airacel Evaporative coolers

FEATURES

- ❁ Heavy duty marine grade aluminum cabinet
- ❁ Low water storage non corrosive water reservoir
- ❁ Heavy duty centre hung forward curve blowers
- ❁ Sealed for life shaft bearings
- ❁ Strong easy grip pad handles
- ❁ High efficiency long life 75mm Celpad

OPTIONAL EXTRAS

- ❁ Variable pitch adjustable galvanised roof stand
- ❁ Mesh pad protection
- ❁ External metal louvres
- ❁ Dump valve
- ❁ Aira GDH and SD heater connectable
- ❁ Ripstop vinyl weatherproof cover



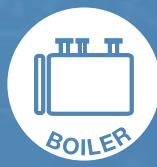
Variable pitch adjustable galvanised roof stand



COOLER



HEATER



BOILER



ERV

AIRA

www.aira.com.au

03 9839 8000

AL series

Airacel Evaporative coolers

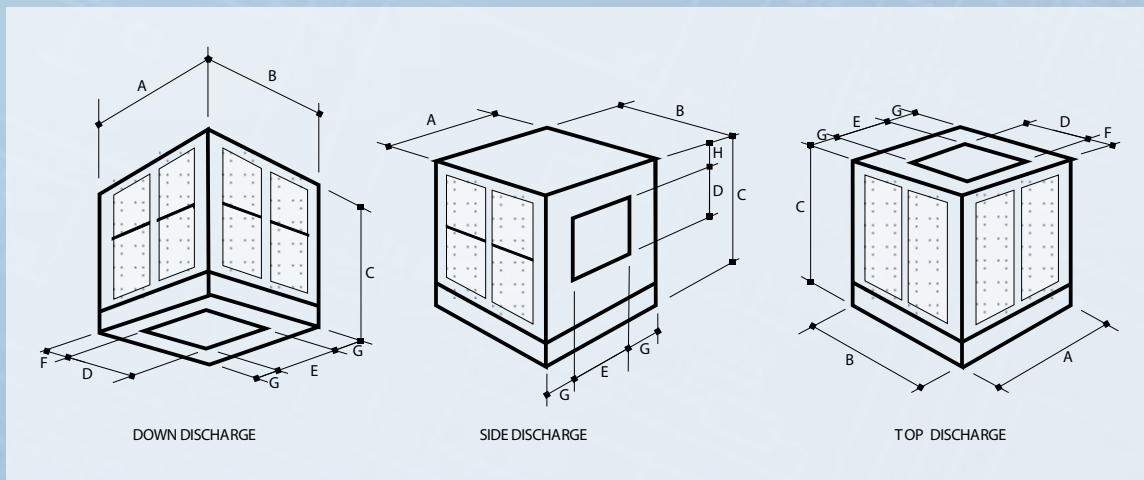
MODEL DESIGNATION

AL 22 D - 40 2

MODEL SIZE
D = Down
S = Side

MOTOR SIZE
07 = 0.75 kW
11 = 1.1 kW
15 = 1.5 kW
22 = 2.2 kW
30 = 3.0 kW
40 = 4.0 kW
55 = 5.5 kW
75 = 7.5 kW
90 = 9.0 kW
105 = 10.5 kW
150 = 15.0 kW
185 = 18.5 kW

SPEED
1 = Single Speed
2 = Two Speed



DIMENSIONS (mm)

| AL MODEL | 12 | | 15 | | 18 | | | | 22 | | | | 25 | | | 30 | | | | 33 | | 36 | | 36 | |
|------------|-----|-----|----|----|------|----|----|----|------|----|----|----|------|----|----|----|------|-----|------|------|-----|------|-----|----|--|
| MOTOR (Kw) | 07 | 07 | 11 | 11 | 15 | 22 | 30 | 15 | 22 | 30 | 40 | 30 | 40 | 55 | 40 | 55 | 75 | 110 | 75 | 110 | 110 | 150 | 185 | | |
| A | 990 | 990 | | | 990 | | | | 1208 | | | | 1550 | | | | 1890 | | 2115 | 2115 | | 2230 | | | |
| B | 990 | 990 | | | 990 | | | | 1208 | | | | 1550 | | | | 1550 | | 1890 | 1890 | | 2240 | | | |
| C | 825 | 825 | | | 1165 | | | | 1340 | | | | 1480 | | | | 1830 | | 2135 | 2135 | | 2135 | | | |
| D | 345 | 470 | | | 500 | | | | 690 | | | | 795 | | | | 920 | | 1090 | 1090 | | 1090 | | | |
| E | 400 | 470 | | | 545 | | | | 690 | | | | 795 | | | | 920 | | 1015 | 1090 | | 1090 | | | |
| F | 135 | 150 | | | 135 | | | | 130 | | | | 195 | | | | 195 | | 200 | 200 | | 200 | | | |
| G | 295 | 260 | | | 222 | | | | 259 | | | | 377 | | | | 483 | | 550 | 512 | | 570 | | | |
| H | 45 | 45 | | | 270 | | | | 160 | | | | 160 | | | | 200 | | 395 | 395 | | 395 | | | |

AIR QUANTITY (l/s high speed)

| Free Air | - | 2300 | - | 3440 | 4020 | - | - | 4580 | 5590 | - | - | 7930 | 8930 | - | 11520 | 12840 | - | - | 17060 | - | - | 23100 | - |
|----------|------|------|------|------|------|------|------|------|------|------|------|------|------|------|-------|-------|-------|-------|-------|-------|-------|-------|-------|
| 50 Pa | 1640 | 1980 | 2490 | 3060 | 3690 | 4200 | - | 4320 | 5200 | 5750 | - | 7170 | 8600 | - | 10660 | 12120 | 13740 | - | 16400 | 18800 | 19200 | 22400 | - |
| * 100 Pa | 1550 | 1720 | 2280 | 2880 | 3260 | 4010 | - | 4050 | 5090 | 5500 | - | 6650 | 8050 | 9350 | 10140 | 11470 | 13220 | - | 15700 | 17900 | 18300 | 21800 | 23100 |
| * 150 Pa | 1450 | 1570 | 2130 | 2640 | 2910 | 3780 | 4250 | 3690 | 4720 | 5240 | 6060 | 6140 | 7500 | 8820 | 9670 | 10910 | 12480 | 13520 | 15100 | 17200 | 17800 | 20200 | 21900 |
| * 200 Pa | 1350 | 1480 | 2010 | 2360 | 2650 | 3540 | 4010 | 3380 | 4480 | 4950 | 5830 | 5860 | 6940 | 8400 | 9180 | 10250 | 11890 | 12890 | 14700 | 16500 | 17100 | 19700 | 20700 |
| * 250 Pa | 1230 | 1320 | 1860 | 2170 | 2480 | 3390 | 3960 | 2860 | 4280 | 4720 | 5720 | 5520 | 6330 | 8260 | 8890 | 9580 | 11230 | 12100 | 14400 | 15900 | 16400 | 19200 | 20300 |

BLOWER (FAN) MOTOR

| TYPE | DP | DP | DP | DP | DP | TEFC | TEFC | DP | TEFC | TEFC | TEFC | TEFC | TEFC | TEFC | TEFC | TEFC | TEFC | TEFC | TEFC | TEFC | TEFC | TEFC | TEFC |
|-----------|-----|-----|-----|-----|-----|------|------|-----|------|------|------|------|------|------|------|------|------|------|------|------|------|------|------|
| POWER(Kw) | .75 | .75 | 1.1 | 1.1 | 1.5 | 2.2 | 3.0 | 1.5 | 2.2 | 3.0 | 4.0 | 3.0 | 4.0 | 5.5 | 4.0 | 5.5 | 7.5 | 11.0 | 7.5 | 11.0 | 11.0 | 15.0 | 18.5 |
| VOLTAGE | 240 | 240 | 240 | 240 | 240 | 415 | 415 | 240 | 415 | 415 | 415 | 415 | 415 | 415 | 415 | 415 | 415 | 415 | 415 | 415 | 415 | 415 | 415 |
| FL AMPS | 5.2 | 5.2 | 6.0 | 6.0 | 8.5 | 4.8 | 6.9 | 8.5 | 4.8 | 6.9 | 7.8 | 6.9 | 7.8 | 11.0 | 7.8 | 11.0 | 14.0 | 20.0 | 14.0 | 20.0 | 20.0 | 28.0 | 35.0 |

WEIGHT (kg)

| | | | | | | | | | | | | | | | | | | | | | | | |
|-----------|----|----|----|-----|-----|-----|-----|-----|-----|-----|-----|-----|-----|-----|-----|-----|-----|-----|-----|-----|-----|-----|-----|
| DRY | 68 | 72 | 78 | 113 | 115 | 118 | 124 | 160 | 165 | 171 | 176 | 243 | 248 | 274 | 274 | 300 | 305 | 328 | 375 | 400 | 410 | 425 | 460 |
| OPERATING | 85 | 92 | 98 | 133 | 135 | 138 | 144 | 185 | 190 | 196 | 201 | 273 | 278 | 304 | 299 | 325 | 330 | 353 | 400 | 430 | 440 | 455 | 490 |

Specifications subject to change without notice

AIRA PTY. LTD.
ABN 38 005 058 364

Head Office - Victoria
144 Colchester Rd
Bayswater North VIC 3153
Tel: 61 3 9728 5566
Fax: 61 3 9761 4732
www.aira.com.au
aira@aira.com.au

Queensland
Ecohvac
Unit 1/5 Westerway St
Slacks Creek Qld 4127
Tel: (07) 3808 9400
Fax: (07) 3808 6955
sales@ecohvac.com.au

New South Wales
Ecohvac
Suite 1.10 46-50 Kent Rd
Mascot NSW 2020
Tel: (02) 9669 4500
Fax: (02) 9669 4700
sales@ecohvac.com.au

South Australia/ NT
Industrial Air
Unit 2 100-104 Haywood Ave
Torrensville SA 5031
Tel: (08) 8354 0088
Fax: (08) 8352 4919
sales@industrialair.com.au

Western Australia
A-West
Unit 15 52 Kent Street
Cannington WA 6107
Tel: (08) 9258 5670
Fax: (08) 9258 5671
info@awestdistributors.com.au